

INSTRUCTIONS FOR USING THE WILSON CARTRIDGE MICRO-STOP CASE TRIMMER

Congratulations on your purchase of the Wilson Case Trimmer! The Case Trimmer is unique in that the case is held by a case holder which simulates a rifle chamber. Cases are held in case holders by their own body taper. The Case Holder sits atop a set of stainless rails that are housed in two precision milled grooves in the base. The result is a dependable accurate cut from case to case insuring a square and perfect alignment every time. Trimmers can be held in a soft jaw vise, or are compatible with mounting stands. Trimmers can also be used for Inside Neck Reaming, military crimp removal with the Primer Pocket Tool, and case mouth de-burring by adding the uniform de-burring tool. Using the steps below we will guide you on how to properly set up your trimmer to enjoy years of use.

Tool Assembly - First Steps!!

Contents Included: 3/32" and 3/16" Hex Wrench, Case Trimmer with Mic Stop, if you purchased the Kit, you will also have a Stand and Clamp to set up. Case Holders are Caliber specific and sold separately.

- **Step 1:** To save room and to protect the cutter, Case Trimmers are boxed with the cutter and bearing assembly reversed
- **Step 2:** To place in operating position, loosen the cutter bearing screw under the base (Flathead Screwdriver) and turn cutter and bearing together 180°. Tighten screw securely, the crank handle should now be facing outward. Cutter is a right handed cutting tool designed to be cranked in the clockwise direction.
- **BEFORE MOUNTING CASE TRIMMER SLIDE CUTTER OUT OF BEARING, THIS WILL PREVENT IT FROM FALLING OUT AND GETTING DAMAGED WHILE MOUNTING TRIMMER.**
- **Step 3:** The trimmer can be mounted in a soft jaw vise. Or, if you purchased the Case Trimmer Kit, please proceed to Step 4. If not, please proceed to Step 5.
- **Step 4:** Installing the Case Trimmer on the Trimmer Base and Case Holder Clamp Installation.

Stand Installation:

- The Trimmer has two slotted screws on the underside that hold it together.
- You will need to replace these with two longer screws (#10 -32 x 7/8 Hex Head Cap Screws, provided).
- Remove one screw at a time. This will make it easier.
- Place trimmer stand on your bench. Top is the side with three holes drilled, bottom will have two.
- Remove the slotted screw that holds the cutter bearing on the rails. Set bearing aside.
- Place the trimmer on the top of the stand and align the hole in the trimmer base with the right side hole in the stand.
- Insert one Allen Screw through the stand and the trimmer base, from the underside of the stand.
- Align the hole with the middle threaded hole in the cutter bearing and hand tighten. The second hole can be used to "bump" the cutter out for longer cases/calibers to give more clearance.
- On the opposite side, swing the trimmer base so you can reach the slotted screw on the stop assembly side of the trimmer.
- Remove the screw and the stop assembly and set aside.
- Swing trimmer back onto the stand and align the left hole in the stand with the stop assembly hole on the trimmer.
- Insert the second (#10) Screw through the hole and align the stop assembly with the screw and install hand tighten.
- Lastly, snug both screws with a 5/32 Hex Head wrench.

Case Holder Clamp Installation:

- Notice the threaded hole on top of the WILSON stand, this is where the clamp mounts.
 - Thread the Clamp Assembly into the threaded hole on the trimmer stand
 - Tighten the assembly with a 5/8" open end wrench
 - Place your case holder on the rails of the Case Trimmer
 - Swing the clamp over the Case Holder
 - Adjust the amount of pressure by adjusting the lock nut with a 7/16" open end wrench or crescent wrench.
- **Step 5: Setting up to trim cases on back.....**

TIPS ON OPERATION

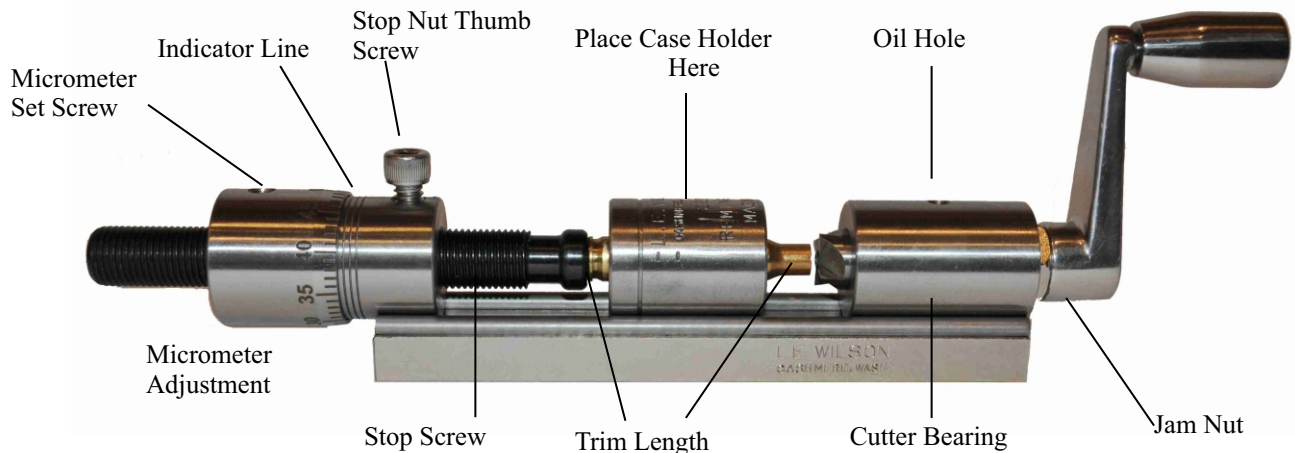
- Use a couple drops of light oil such as SAE 30 or similar in oil hole to reduce friction from cutter to bearing. It is a good idea to make sure trimmer has proper lubrication between uses or if trimmer has been stored.
- If using Power Adaptor, **USE AT RPM around 100-200 RPM** or the speed of a power screw driver is perfect speed. If using a power drill it is very easy to exceed this RPM and could easily seize bearing to cutter.
- All trimmers are now made with a rake-tooth cutter. This cutter has the advantage over a straight-tooth cutter of cutting faster and with less pressure required and will be found superior for all purposes within reason. The cutter has been designed expressly for the job it has to do, which is to face off amounts from zero to about 1/32". If desired to face off larger amounts, as in cutting '06 brass back to 8mm length, it may be necessary to adjust the stop screw so that the material will be removed in more than one operation. By doing the job in steps the cutter is allowed to contact the stop often enough to steady the cut and prevent "grabbing".

Step 5: In setting the trimmer for correct case length the WILSON Cartridge Case Gage is recommended in those calibers for which it is furnished. The case trimmer should be adjusted to produce a case length, which will register flush with the lower step of this gage. In all other calibers adjust the trimmer according to your preferred reloading manual. With a little practice you will develop considerable speed in putting cases through the trimmer. In our use of the tool, the operations are done as follows.

FIRST TIME SET UP PROCEDURE FOR TRIMMING RIFLE CALIBERS WITH TAPER

- 1) Slide Cutter back into bearing. Loosen thumb screw on stop nut to allow the stop screw to move freely.
- 2) Drop case in case holder and tap head end on hardwood block or cork board.
NOTE: Case holders have a groove turned near head to indicate at a glance which end is the head end.
- 3) Using the Micrometer adjustment, back out the stop screw enough to allow case to sit between cutter and stop.
- 4) Push cutter flush with cutter bearing. Jam nut should be touching cutter bearing.
- 5) Screw in stop screw until your case mouth is just touching the cutter. Now tighten the screw with the included 3/16 wrench.
- 6) Next, use a 3/32 Hex Key (Included) to loosen the set on the Micrometer adjustment. With the thumb screw tight, spin the Micrometer towards the stop nut (Set screw should not move during this procedure). Spin it until only two indicator lines are visible and Micrometer is set to zero. Using the 3/32 Hex tighten the set back down.
- 7) Hold firmly in trimmer with case head against stop screw and twirl cutter until it stops cutting. Or use our optional Case Holder Clamp or Sinclair Shark Fin from Sinclair International.
- 8) Remove case by tapping mouth on same block.
- 9) Measure case length with case gage or calipers.
- 10) Make adjustments by loosening thumb screw and turning the Micrometer adjustment. Each dash represents .001 of an inch.
Clockwise = Shorter Cases
Counter Clockwise = Longer Cases

Our hardened steel burring tool is a recommended accessory for this trimmer. It is used by hand to chamfer the inside of the case mouth and to remove the sharp edge outside of the case mouth after trimming. The last burring operation done on one case should be the first done on the next. In this way you reverse ends with the burring tool just once for each case. The new standard burring tool serves for all calibers from .17 to .45. You may also add a 45 or 30 degree uniform burring tool that works in place of the cutter for inside case mouth de-burring.



LIMITED WARRANTY

L.E. Wilson, Inc. ("Seller") warrants, to the original purchaser only, that all Seller's tools and gages will be free from defects in material or workmanship under normal use for a period of one year from date of purchase ("normal use" means use as described in accompanying instructions and as shown at www.lewilson.com). SELLER'S SOLE OBLIGATION AND YOUR EXCLUSIVE REMEDY under this Limited Warranty and, to the extent permitted by law, any warranty or condition implied by law, shall be, at Seller's option, the repair or replacement of a tool or gage, without charge, which is defective in material or workmanship and which has not been altered, misused, carelessly handled, or repaired by persons other than Seller. To make a claim under this Limited Warranty, you must return the complete tool or gage, shipping prepaid, to Seller at P.O. Box 324, Cashmere, WA 98815. Please include a dated proof of purchase with your tool or gage. You may contact Seller at (509) 782-1328 to discuss the problem.

SELLER MAKES NO FURTHER WARRANTIES, AND DISCLAIMS ANY AND ALL OTHER WARRANTIES, EITHER EXPRESS OR IMPLIED, WITH RESPECT TO ITS PRODUCTS, INCLUDING WITHOUT LIMITATION MERCHANTABILITY OR FITNESS FOR ANY PARTICULAR PURPOSE.

LIMITATION OF LIABILITY

SELLER, INC. ("SELLER") SHALL NOT BE LIABLE FOR ANY PERSONAL INJURY OR DEATH WHICH MAY ARISE IN THE COURSE OF, OR AS A RESULT OF, PERSONAL, COMMERCIAL, OR INDUSTRIAL USES OF ITS PRODUCTS. IN NO EVENT SHALL SELLER HAVE ANY OBLIGATION OR LIABILITY FOR ANY EXEMPLARY, PUNITIVE, INCIDENTAL, SPECIAL OR CONSEQUENTIAL DAMAGES (INCLUDING BUT NOT LIMITED TO LOSS OF PROFITS, USE OR GOODWILL), WHETHER BASED ON CONTRACT, TORT (INCLUDING NEGLIGENCE), STRICT LIABILITY, OR ANY OTHER THEORY OR FORM OF ACTION. THE TOTAL LIABILITY OF SELLER FOR DAMAGES RELATING TO ANY OF ITS PRODUCTS SHALL BE LIMITED TO THE PURCHASE PRICE OF SUCH PRODUCTS.